



TURNTABLE

Volume 1, Number 2

July 2017

The NMRA's *Turntable* is a monthly publication which, like a railroad turntable, will lead you in a number of directions on the internet.

Railroad Operations on the Johnstown & Gerryville Railroad



Model railroad operation on the Johnstown and Gerryville 20141129



Peter's groove and hobby channel

Subscribe 199

24,123 views

[Johnstown and Gerryville Railroad Operations](#)

This video shows the operation of the Johnstown & Gerryville Railroad of John Travis, MMR, along with members of his construction & operations crew.

Painting Backdrops for Large Railroads - Part 1



PART 1: PAINTING BACKDROPS FOR LARGE LAYOUTS



CNLVN



Subscribe

6.8K

20,698 views

[Painting Backdrops for Large Layouts - Part 1](#)

Ultimate DCC Throttle Part 7



Ultimate DCC Throttle – Part 7



Bruce Kingsley

Subscribe 816

4,005 views

[Ultimate DCC Throttle - Part 7](#)

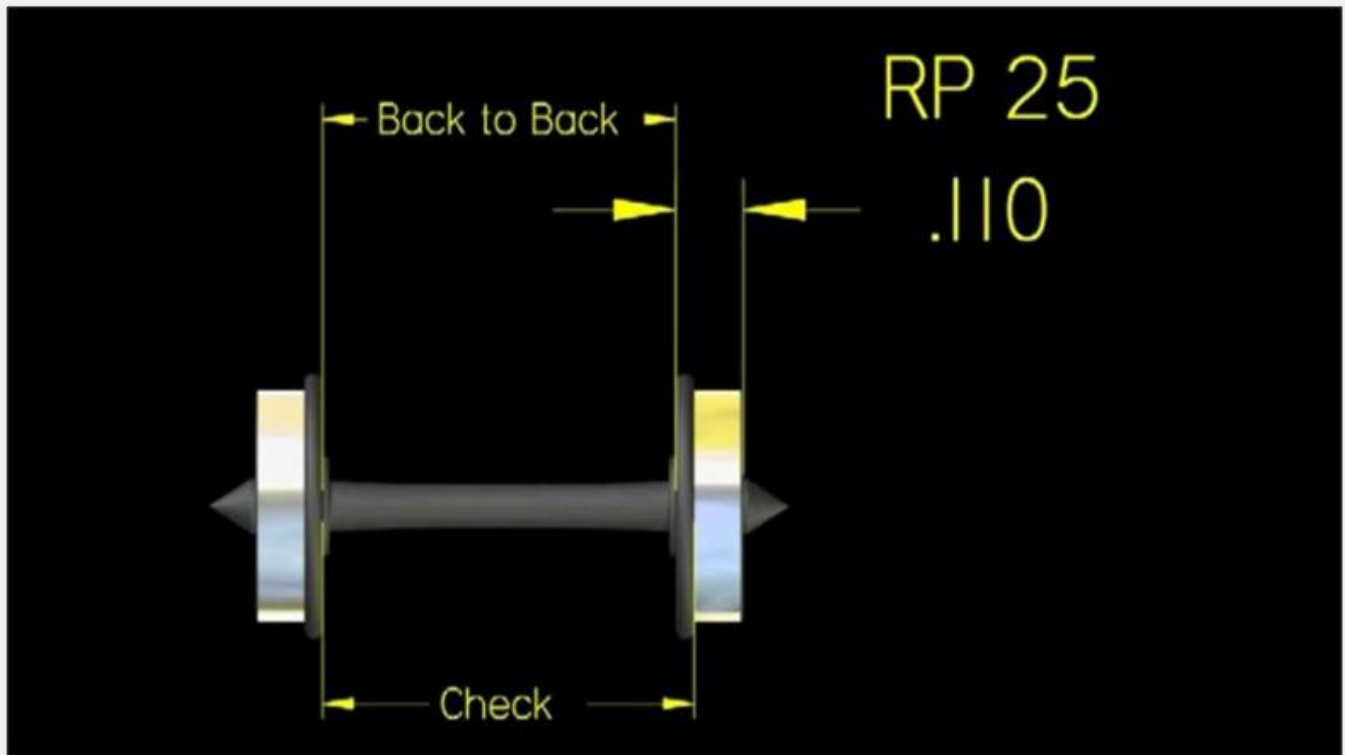
[Ultimate DCC Throttle - Part 8](#)

[Ultimate DCC Throttle - Part 9](#)

It is best to watch these three videos in order. Parts 7 & 8 are short video explanations of what is being constructed while Part 9 shows the "Throttle" in use to operate a train.

From our NMRA YouTube Channel

[**Demystifying the NMRA Standards - Part 1**](#)



Demystifying The NMRA Standards - Part 1 of 4



FastTracksTools

Subscribe 3K

5,766 views

[Demystifying the NMRA Standards](#)

Used, abused, misused, and just plain misunderstood, the NMRA standards have been unjustly blamed for many of the problems modelers have had over the years with poor operating trackwork, where in fact the NMRA standards actually hold the key to building layouts that run both smoothly and reliably.

Here Tim Warris from Fast Tracks uses CAD animation and graphics to help explain just how the NMRA standards work.

To learn more about Fast Tracks tools & supplies, visit us at: <http://www.fast-tracks.net>

NMRA Mid Central Region (MCR) Division 10 Meet



NMRA Division 10 meet, 06 August 2016



formerparatrooper

[Subscribe](#) 2K

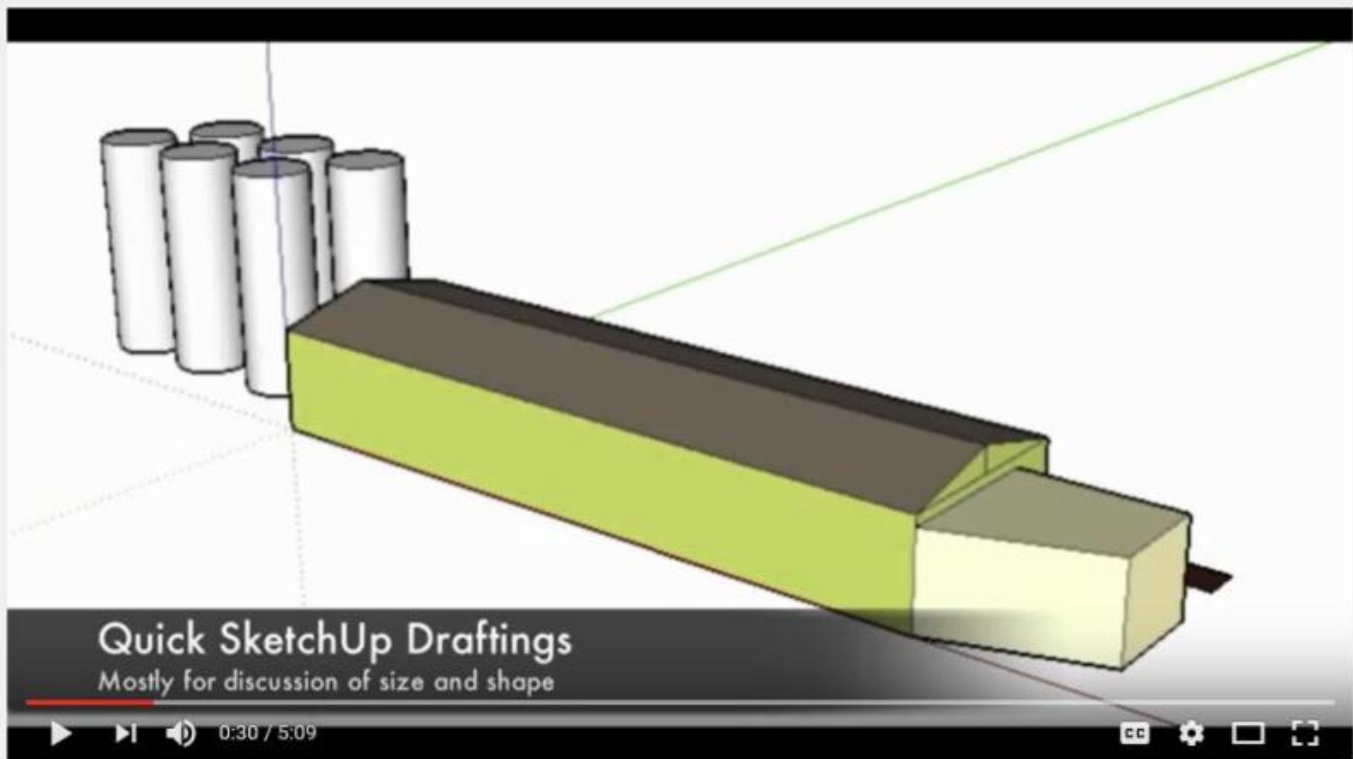
1,648 views

[NMRA Division 10 Meet](#)

Here is some interesting footage of the MCR's Division 10 visiting an outdoor 1-foot-gauge railroad. You'll see a wide range of engines, from a 2-6-0 to a GP9.

Best of the Rest


[**Scratchbuilding a Plastics Industry - Part 1**](#)



Plastics Industry Scratchbuild Part 1



MidwestModelRR

 Subscribe 1.8K

2,619 views

[Plastics Industry Scratchbuild Part 1](#)

Scratch build of a Plastics Injection Molding / Thermoforming company (making containers). This is the beginning of the build on the Missouri Pacific Sedalia subdivision.

Steel Mill Railroad Relics Still Found Around Pittsburgh, PA



STEEL MILL RAILROAD RELICS Still found in Pittsburgh, Pa



djstrains

 Subscribe 11K

8,884 views

[Steel Mill Relics Around Pittsburgh, PA](#)

How to Make an N Scale Slag Dump



How to make a N scale slag dump, and scenery for your layout



djstrains

 Subscribe 11K

6,094 views

[How to Make an N Scale Slag Dump](#)

Here is how I am making scenery for my N scale layout. The area is modeled after two Pittsburgh area dumps. One dump was for pickling acid and the other for slag. Here are some scenery steps, and some cheesy lounge music. Music by royalty-free music "cocktail mood".

Indy 2016 NMRA Model Contest PhotoBooks

Highball To Indy 2016



Judged Model Contest
Kit Built Rolling Stock



Highball To Indy 2016



Judged Model Contest
Kit Built Structure & Diorama



BONUS: PEOPLE'S CHOICE, ARTS & CRAFTS AND MODEL SHOWCASE

<http://www.ser-nmra.org/publications>

Highball To Indy 2016



Judged Model Contest
Scratch Built Rolling Stock



BONUS: PASS & PHOTO CONTESTS

Highball To Indy 2016



Judged Model Contest
Scratch Built Structure & Diorama



[Scratch Built Structure and Diorama](#)

The Scratch Built Structure & Diorama PhotoBook thoroughly covers these two categories. Included is the Gold Award winning model.

[Scratch Built Rolling Stock](#)

The Scratch Built Rolling Stock PhotoBook covers the Steam Locomotive, Diesel or Other Locomotive, Traction, Freight Car, Passenger Car, Non Revenue, and Caboose categories. **BONUS:** In addition this volume also covers the Railroad Pass contest and the Photo contest.

[Kit Built Rolling Stock](#)

The Kit Built Rolling Stock PhotoBook covers the Steam Locomotive, Diesel or Other Locomotive, Traction, Freight Car, Passenger car, Non Revenue, & Caboose categories.

[Kit Built Structure and Diorama](#)

The Kit Built Structure & Diorama PhotoBook covers both of these categories. **BONUS:** In addition this volume also covers the People's Choice (popular vote) categories, Photo Match, Favorite Train, Thumbs, the Arts & Crafts contest, and the Model Showcase for non-judged display-only models and dioramas.

::

Editor: Paul V. Voelker

Contributing Editors: Tom Bensberg and Philip Sharp

Executive Editor: Gerry Leone, MMR, HLM

The NMRA Turntable is an official monthly production of the National Model Railroad Association, Inc. Publishing Department ([Don Phillips](#), Manager). Its purpose is to introduce NMRA members to a selection of instructional videos and online publications that they may find of interest. If you know of an NMRA member who is not receiving this mailing, please direct them to [here](#) to update their email address. If you no longer wish to receive these mailings, please don't mark them as SPAM. Instead, click the Safe Unsubscribe link at the bottom of this page. ©2017 National Model Railroad Association, Inc., P.O. Box 1328, Soddy Daisy TN 37384.

STAY CONNECTED:

